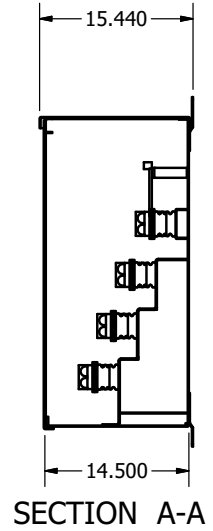
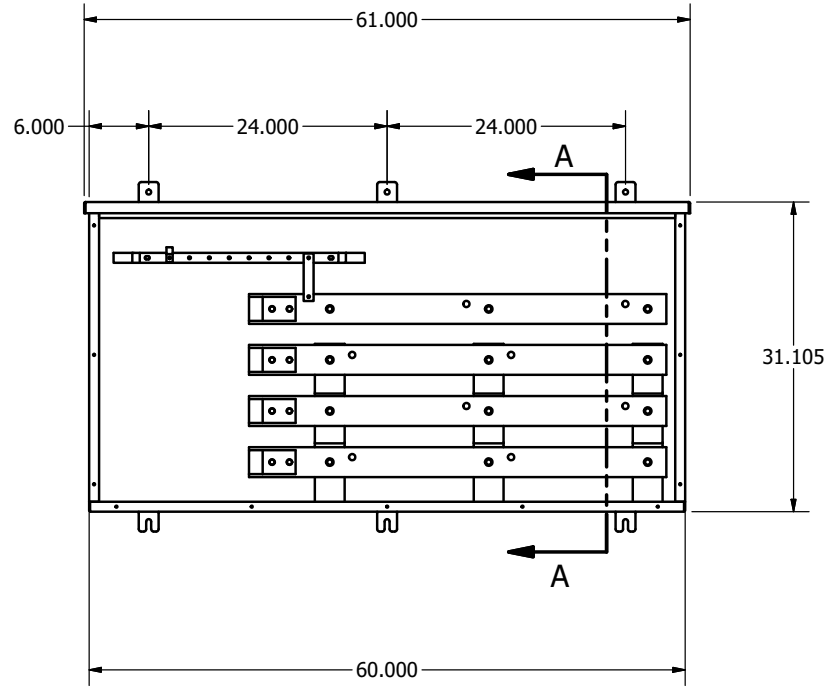
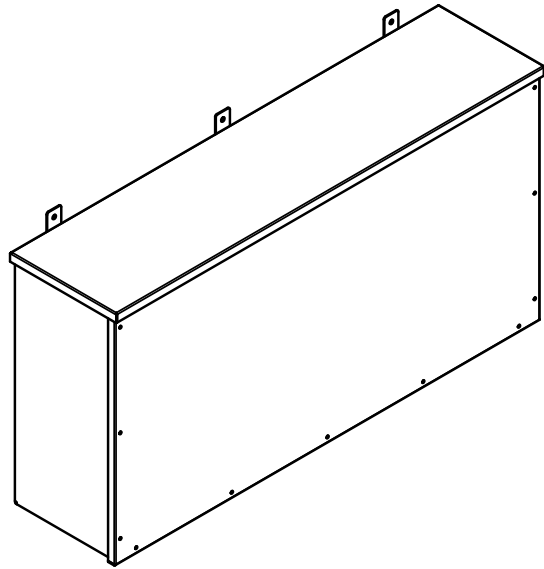


REVISION HISTORY		
REV	DESCRIPTION	DATE
A	Change Line Feed to Top	9/30/2010



208/120 VAC, 1200 AMP, 3 PHASE, 4 WIRE, 65K AIC BUSSED GUTTER  
 TYPE 3R, 5FT ENCLOSURE  
 LEFT LINE FEED, TOP LOAD FEED  
 4) #2-600 MCM LUGS PER PHASE AND NEUTRAL FOR LINE FEEDS  
 NO) NO LOAD LUGS SUPPLIED - LUGS PER PHASE AND NEUTRAL FOR LOAD FEEDS  
 UL REQ 75° C CONDUCTOR SIZING

TOLERANCES (EXCEPT WHERE NOTED)	emyrup	5/22/2008
FEATURES	± .005	
SHEET METAL	± .020	
ANGULAR	± .5°	
REMOVE BURRS & SHARP CORNERS		



5ft Bussted Gutter  
 OUTLINE DRAWING

**MANUFACTURING INFORMATION**

MATERIAL: **N/A** QTY PER UNIT: **1**  
 BEND DEDUCTION: **N/A** FINISH: **HAMMER GRAY**

JOB #:

SHEET 1 OF 1

REV. A