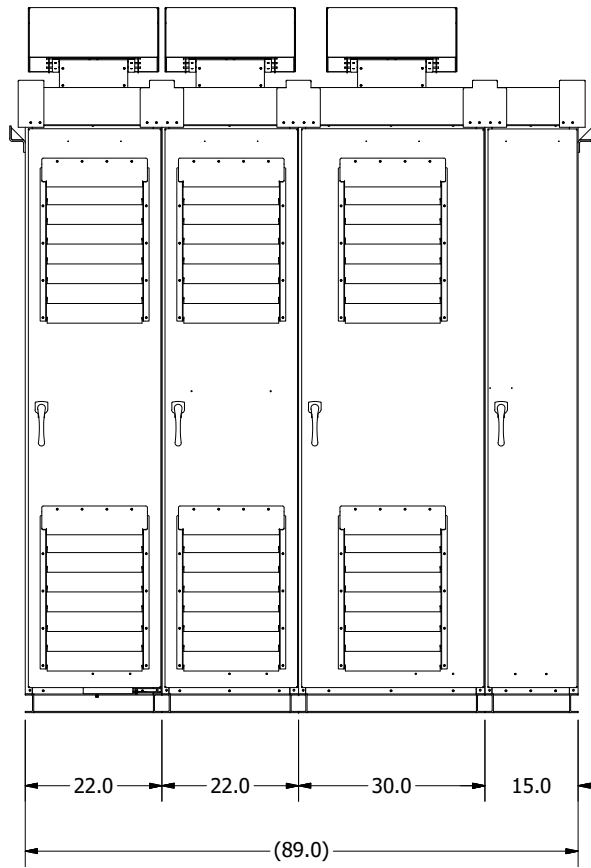
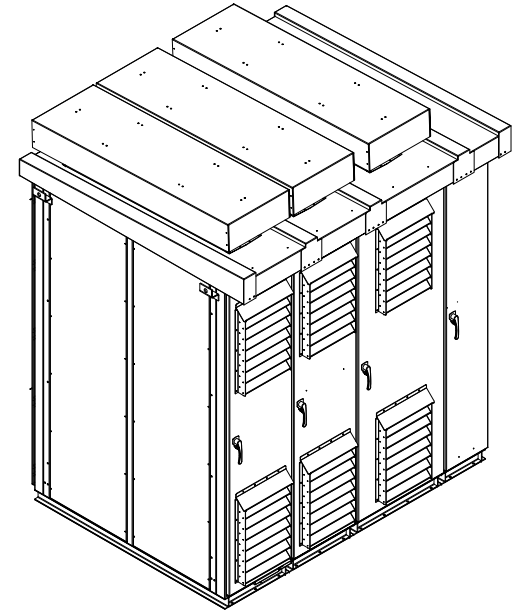


SIDE



FRONT



- NOTES:
- UL 1558, TYPE 3R NON-WALKIN PAD MOUNT SWITCHBOARD
  - SWITCHBOARD RATING, 3000A, 480VAC, 3PHS, 4W, 100KAIC BUS BRACING
  - GROUND BAR
  - SILVER PLATED COPPER BUS
  - SWITCHBOARD ENCLOSURE MATERIAL TO BE 304L STAINLESS STEEL

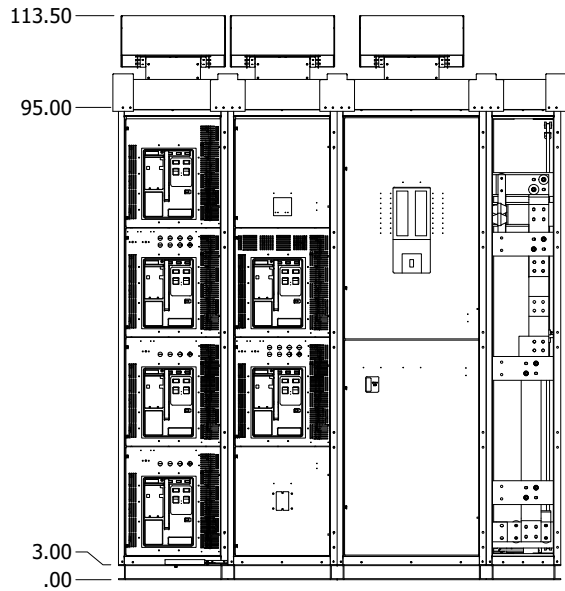
REV	DESCRIPTION	DATE
A	RELEASE FOR APPROVAL	3/5/2010
B	CHANGED OAL OF SWITCHBOARD	5/11/2010
C	UPDATE TO UL 1558 REQUIREMENTS	9/27/2010
D	AS BUILT	11/22/2010



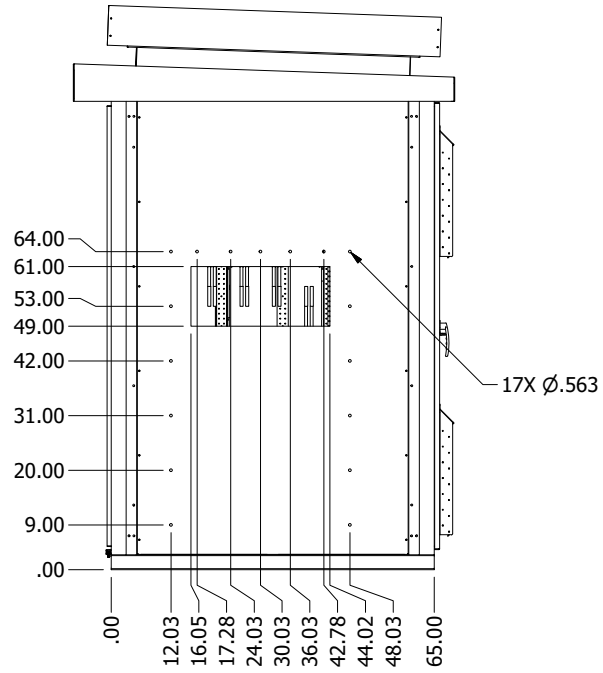
DRAWN bwickery  
 CHECK  
 APPD

SWGR-UL1558-65KAIC-3000A-480V/3P/4W  
 SWITCHGEAR OUTLINE  
 ELEVATION VIEWS

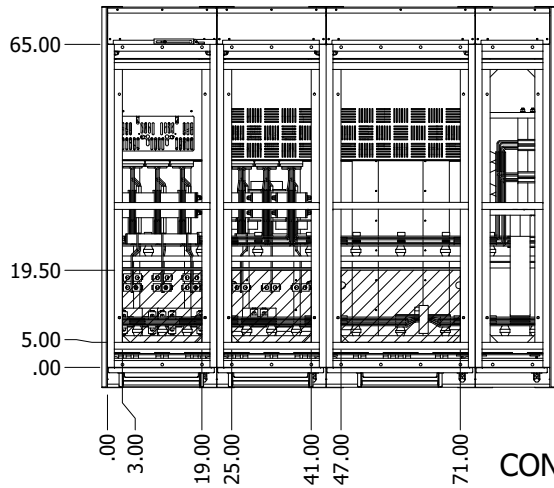
SIZE B	DWG NO.	REV D
SCALE	SHEET 1 OF 2	




FRONT  
(DOORS REMOVED FOR CLARITY)



RIGHT SIDE  
TRANSFORMER MOUNT



BOTTOM  
CONDUIT ENTRY

		SWGR-UL1558-65kAIC-3000A-480V/3P/4W	
		SWITCHGEAR OUTLINE LAYOUT DETAILS	
DRAWN	bvickery	SIZE	DWG NO.
CHECK		B	D
APPD		SCALE	SHEET 2 OF 2