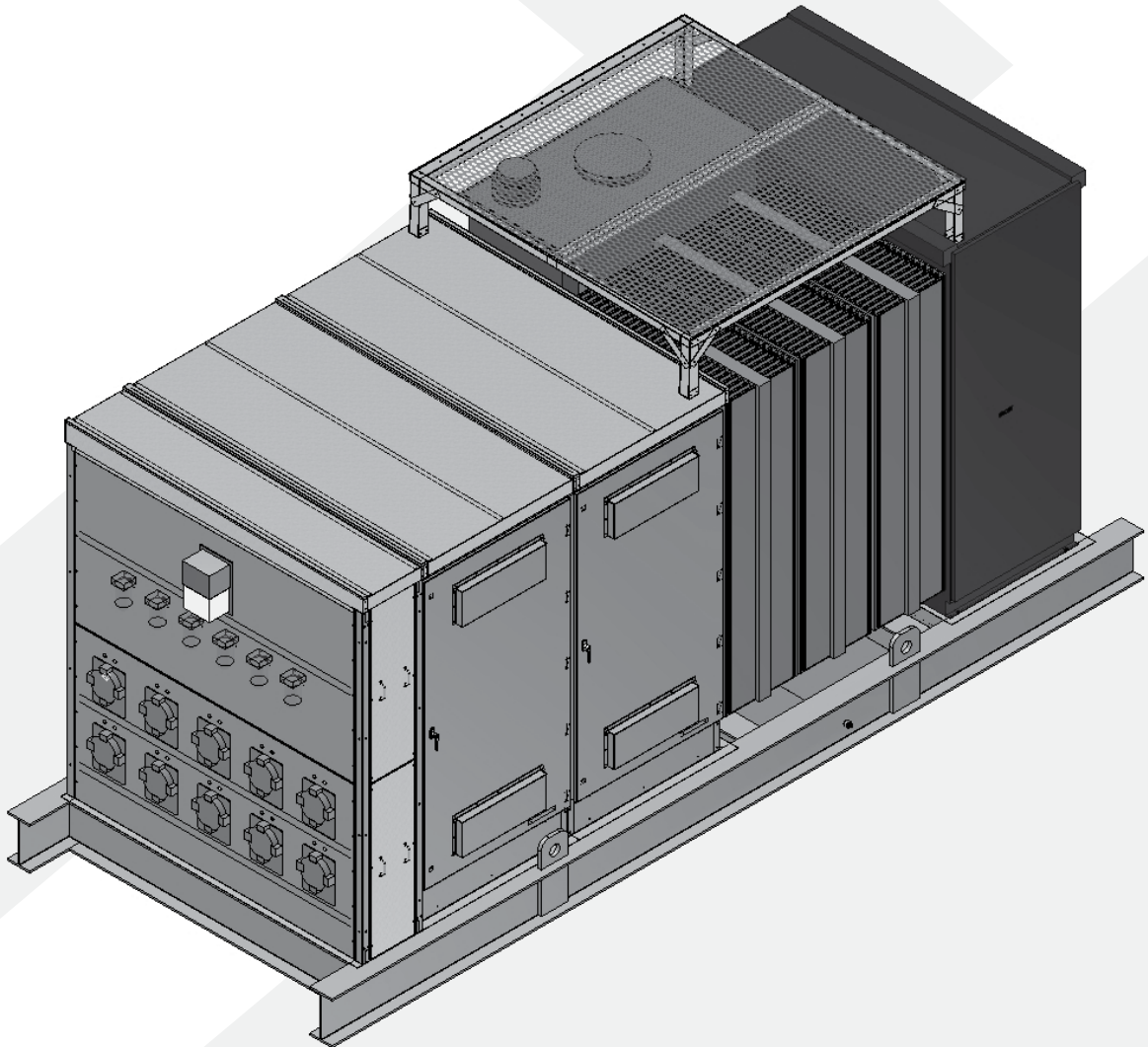


>> CUSTOM PRODUCT DESIGN & APPLICATION ENGINEERING SUPPORT

ESS Metron is at the forefront of Engineering Automation. We extract from our massive portfolio of 3-D modeled designs to provide our clients with custom drawings almost instantly. From the moment your project begins, you'll have detailed drawings specific to your parameters that meet the most demanding applications and standards. In addition, our broad engineering skill-set includes electrical, mechanical and structural disciplines; so you know you have the most skilled and state-of-the art engineering support at your disposal.



PORTABLE SUBSTATION FOR MARINE/MINING/INDUSTRIAL APPLICATIONS

Engineered, Assembled, and Tested to Meet Your Requirements



STANDARD FEATURES

- 1 HV load interrupter switch with CL fusing available
- 2 LV switchgear up to 6000 amp
200kA amp bus bracing 480 volts 3 phase power with all major electrical manufacturers circuit protective devices available
- 3 Substation oil filled transformer up to 10 MVA capacity
- 4 Rugged welded steel skid structure engineered for easy mobility and compact design
- 5 Water and oil spill containment with easy discharge device
- 6 Heavy duty transformer protection shield
- 7 Moisture barriers to reduce condensation on bus joints and electrical components



FRONT VIEW

- > LV distribution switchboard
- > Transformer
- > HV load interrupter switch



RECEPTACLE

- > LV distribution switchboard
- > Optional power receptacles
- > Visual fault indication lights & circuit breaker position indicators



REAR VIEW

- > HV load interrupter switch
- > Transformer
- > LV distribution switchboard
- > Receptacle section

OPTIONAL FEATURES

- 1 Local utility metering sections providing revenue billing capability
- 2 Power receptacles featuring safe, quick connection to loads and visual indication for ground fault and breaker position
- 3 Complete Nema 3R enclosure wrap with powder coat paint process and stainless steel hardware to resist corrosion and the affects of harsh environments
- 4 Front and rear compact design for maximum receptacle feeder protection devices

