

Switchboard Sections With Individually Mounted Fixed Main Breakers

Main Bus Rated Continuous RMS Current	Max Rated Short Circuit Current kAIC	Average Section Weight lbs.	NEMA 1 Minimums			NEMA 3R Minimums		
			Width	Depth	Height	Width	Depth	Height
			800	100	1000	24"	24"	90"
1200	100	1200	24"	24"	90"	24"	30"	92"
2000	100	1500	24"	30"	90"	24"	30"	92"
3000	100	1700	24"	30"	90"	24"	30"	92"
4000	100	2000	32"	40"	90"	32"	46"	92"
5000	100	2200	32"	40"	90"	32"	46"	92"
6000*	100	1800	32"	40"	90"	32"	46"	92"

*Through Bus Only - 6000 Amp Main Breaker Not Available

Switchboard Sections With Individually Mounted Drawout Main Breakers

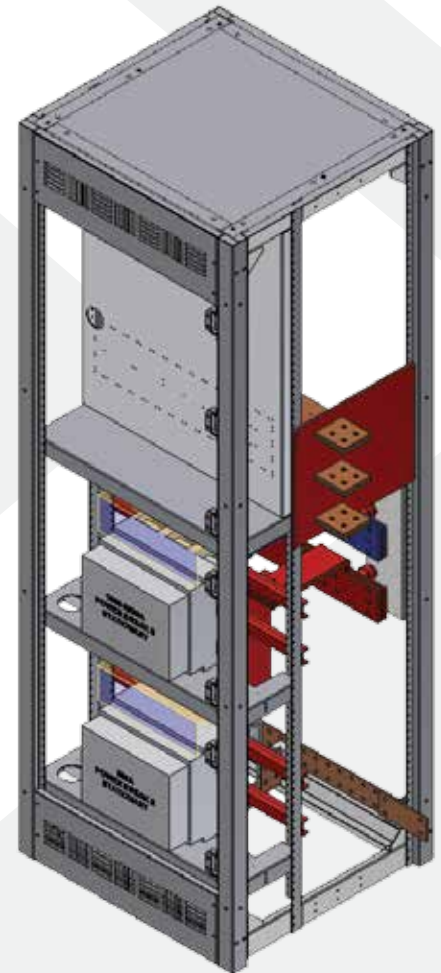
Main Bus Rated Continuous RMS Current	Max Rated Short Circuit Current kAIC	Average Section Weight lbs.	NEMA 1 Minimums			NEMA 3R Minimums		
			Width	Depth	Height	Width	Depth	Height
			800	100	1000	24"	50"	90"
1200	100	1200	24"	50"	90"	24"	56"	92"
2000	100	1500	24"	50"	90"	24"	56"	92"
3000	100	1700	24"	50"	90"	24"	56"	92"
4000	100	2000	32"	50"	90"	32"	56"	92"
5000	100	2200	32"	50"	90"	32"	56"	92"
6000*	100	1800	32"	60"	90"	32"	66"	92"

*Through Bus Only - 6000 Amp Main Breaker Not Available

Switchboard Sections With Individually Mounted Drawout Main Breakers

Main Bus Rated Continuous RMS Current	Max Rated Short Circuit Current kAIC	Average Section Weight lbs.	NEMA 1 Minimums			NEMA 3R Minimums		
			Width	Depth	Height	Width	Depth	Height
			800	100	800	44"	24"	90"
1200	100	1200	44"	24"	90"	44"	30"	92"
2000	100	2000	44"	30"	90"	44"	30"	92"
3000	100	2000	44"	30"	90"	44"	30"	92"
4000	100	2000	44"	40"	90"	44"	46"	92"
5000	100	2000	44"	40"	90"	44"	46"	92"
6000*	100	2000	44"	40"	90"	44"	46"	92"

*Through Bus Only - 6000 Amp Main Breaker Not Available



» CUSTOM PRODUCT DESIGN & APPLICATION ENGINEERING SUPPORT

ESS Metron is at the forefront of Engineering Automation. We extract from our massive portfolio of 3-D modeled designs to provide our clients with custom drawings almost instantly. From the moment your project begins, you'll have detailed drawings specific to your parameters that meet the most demanding applications and standards. In addition, our broad engineering skill-set includes electrical, mechanical and structural disciplines; so you know you have the most skilled and state-of-the art engineering support at your disposal.

SWITCHBOARD

Engineered, Manufactured, Assembled, and Tested to Meet Your Requirements



REAR VIEW



INTERIOR



PARALLELING

STANDARD FEATURES

- 1 Underwriters' Laboratories (UL) 891 Switchgear utilized in the protection, control and monitoring of low voltage power distribution systems
- 2 Available in amperage ratings from 800 to 6000 for applications up to 600 volts
- 3 Rugged corner post construction and standard powder coated structures are ideally suited for all industrial, commercial & utility applications
- 4 Thru-the-door circuit breaker operation
- 5 Bolted, silver plated copper bus bar design
- 6 Short circuit withstand rating to 100kA
- 7 UL/ANSI circuit breakers/protection devices available from all major manufacturers including ABB, Cutler Hammer, GE, Siemens, and Square D.
- 8 Front access to control and communications devices and wire connections
- 9 Isolated compartments
- 10 NEMA 1 & NEMA 3R

OPTIONAL FEATURES

- 1 Stationary, draw out, circuit breakers either electrically or manually operated
- 2 Power monitoring
- 3 TVSS
- 4 Harmonic mitigation devices
- 5 Power factor correction devices
- 6 Insulated bus bar
- 7 Keyed interlocks
- 8 Automatic throw over (ATO) schemes
- 9 Integration with building management systems
- 10 Paralleling/load shedding controls
- 11 Rear accessible
- 12 Custom bus bar configurations
- 13 Custom mimic bus
- 14 Custom metering
- 15 Stainless steel & walk-in enclosures
- 16 Paralleling/load shedding controls
 - a. Emergency or standby
 - b. Prime power
 - c. Co-gen
 - d. Controls for all types of generators
 - e. Load sharing for multiple generators
 - f. Speed and voltage control components
- 17 Construction and paint qualification for Coastal Environments per ANSI C57.12.29.