

NOTES:

- (1) TO REDUCE THE RISK OF FIRE, REPLACE ONLY WITH SAME TYPE & RATING OF FUSE
- (2) ALL C.T. WIRING #16 SIS WITH RING TYPE TERMINALS
- (3) RING TYPE TERMINALS ON ALL SCREW TYPE WIRE CONNECTIONS
- (4) ALL CONTROL & SECONDARY WIRING MINIMUM #16 SIS (UNLESS OTHERWISE NOTED)
- (5) HEAT-SHRINK LABELING

LEGEND:

-105A027 PAGE NUMBERING DESCRIPTION: (SECTION[-105] CELL[A] SHEET# [027])

--SS [-1010022] SHIPPING/SECTION INTER-CONNECT (SECTION [-101] SHEET# [002] SHEET COORDINATE [2Y])

--- SHIPPING/SECTION INTERCONNECT DISCONNECT POINT

--- FIELD/CUSTOMER WIRING

◇ EXTERNAL/FIELD/CUSTOMER TERMINAL BLOCK

△ SHIP ?

△ BUS PAGE INTER-CONNECT

△ SHIELDED TWISTED PAIR BELDEN CABLE

TITLE: BREAKER CONTROL #/N: 24380

CONTACT	DECK	POS.	HANDLE POSITIONS
18	3	1	1, 2, 3
17	4	2	1, 2, 3
16	17	3	1, 2, 3
11	18	X	X
16	17	X	X

ACTION: SPRING RETURN TO POS. 2

DECK

18	3	1	1, 2, 3
17	4	2	1, 2, 3
16	17	3	1, 2, 3
11	18	X	X
16	17	X	X

CONTACT DECK POS. HANDLE POSITIONS

18	3	1	1, 2, 3
17	4	2	1, 2, 3
16	17	3	1, 2, 3
11	18	X	X
16	17	X	X

ACTION: SPRING RETURN TO POS. 2

DECK

18	3	1	1, 2, 3
17	4	2	1, 2, 3
16	17	3	1, 2, 3
11	18	X	X
16	17	X	X

CONTACT DECK POS. HANDLE POSITIONS

18	3	1	1, 2, 3
17	4	2	1, 2, 3
16	17	3	1, 2, 3
11	18	X	X
16	17	X	X

ACTION: SPRING RETURN TO POS. 2

DECK

18	3	1	1, 2, 3
17	4	2	1, 2, 3
16	17	3	1, 2, 3
11	18	X	X
16	17	X	X

CONTACT DECK POS. HANDLE POSITIONS

18	3	1	1, 2, 3
17	4	2	1, 2, 3
16	17	3	1, 2, 3
11	18	X	X
16	17	X	X

ACTION: SPRING RETURN TO POS. 2

DEVICE ABBREVIATIONS

AD	DEVICE, ANNUNCIATOR	CR	RELAY, CONTROL	I/O	INPUT OUTPUT MODULE	MC	CONTRACTOR	PR	RELAY, POWER	TB	TERMINAL BLOCK
BAT	BATTERY	CS	SWITCH, CONTROL	ISW	ISOLATION SWITCH	MOC	MECHANICALLY OPERATED CONTACTS	PTB	POWER TERMINAL BLOCK	TOC	TRUCK OPERATED CONTACTS
BCS	SWITCH, BREAKER CONTROL SWITCH	CT	CURRENT TRANSFORMER	JB	JUNCTION BOX	MTR	METER (AMP,FREQ,POWER FCTR,VOLT,WATT)	RCP	REMOTE CONTROL PANEL	TR	RELAY, TIMING
CAP	CAPACITOR	DSP	DISPLAY	K	KEYED INTERLOCK	NCT	NEUTRAL CURRENT TRANSFORMER	ROPT	RECEPTACLE	TS	SWITCH, TEST
CB	CIRCUIT BREAKER	EPB	EMERGENCY PUSH-BUTTON	KSW	SWITCH, KEYED	NS	NEUTRAL SENSOR	RES	RESISTOR	TST	THERMOSTAT
CD	DEVICE, COMMUNICATION	EXP	EXCITER PANEL	LBS	LOAD BREAK SWITCH	OLR	OVERLOAD RELAY	RLY	MULTIFUNCTION RELAY	TVSS	TRANSIENT VOLTAGE SURGE SUPPRESSOR
CHG	BATTERY CHARGER	FR	RELAY, FREQUENCY SENSING	LIS	LOAD INTERRUPTER SWITCH	PB	PUSH BUTTON	SD	DEVICE, SURGE	VM	MONITOR, VOLTAGE
CL	CURRENT LIMITING REACTOR	FU	FUSE	LOR	RELAY, LOCK-OUT	PDB	POWER DISTRIBUTION BLOCK	SKRU	SOLENOID KEY RELEASE UNIT	VR	RELAY, VOLTAGE SENSING
CM	CIRCUIT MONITOR	GFCI	GROUND FAULT CIRCUIT INTERRUPTER	LP	PANELBOARD	PFC	CAPACITOR, POWER FACTOR CORRECTION	SR	RELAY, CURRENT SENSING	VT	VOLTAGE TRANSFORMER
CPTD	CONTROL, POWER TRANSFORMER	HST	HUMIDISTAT	LR	RELAY, PARALLELING	PL	INDICATING LIGHT	STB	SHORTING TERMINAL BLOCK	XR	RELAY, AUXILIARY
		HTR	HEATER	LT	LIGHT	PM	POWER MONITOR	SW	SWITCH	ZCT	ZERO SEQUENCE CURRENT TRANSFORMER

REVISIONS

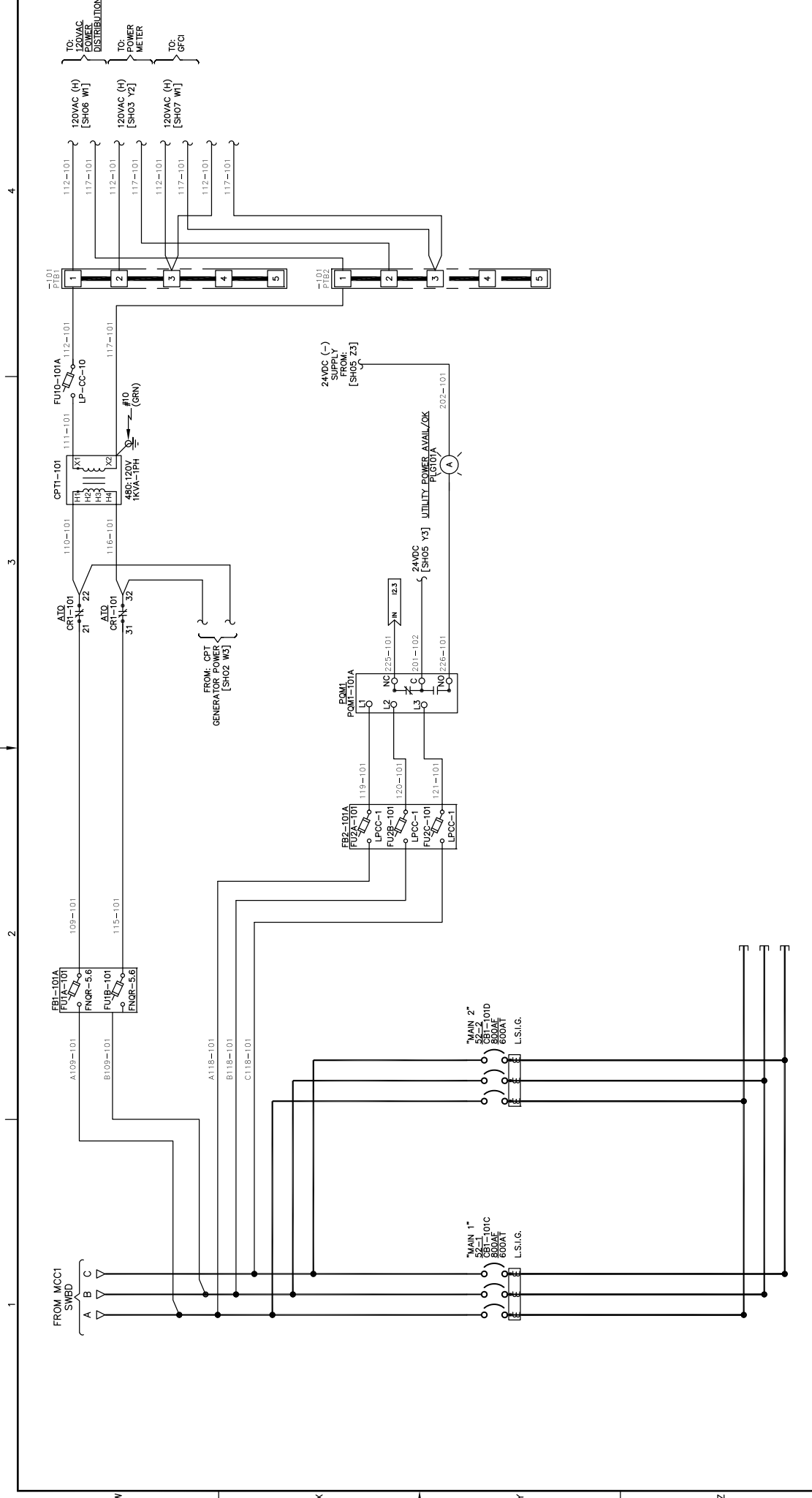
REV	DESCRIPTION	DATE	APPROVED
1	AS BUILT	6/21/11	M.B.

ES&S  
ESSMETRON

SWBD-800A-480/3/3W  
REFERENCE PAGE (1 OF 1)  
SCHEMATIC GENERAL NOTES & SHEET INDEX

DRANN	M.B.	6/21/11	SIZE	DWG NO.
CHECK	X.X.X.	/ /	B	
APPD	X.X.X.	/ /		

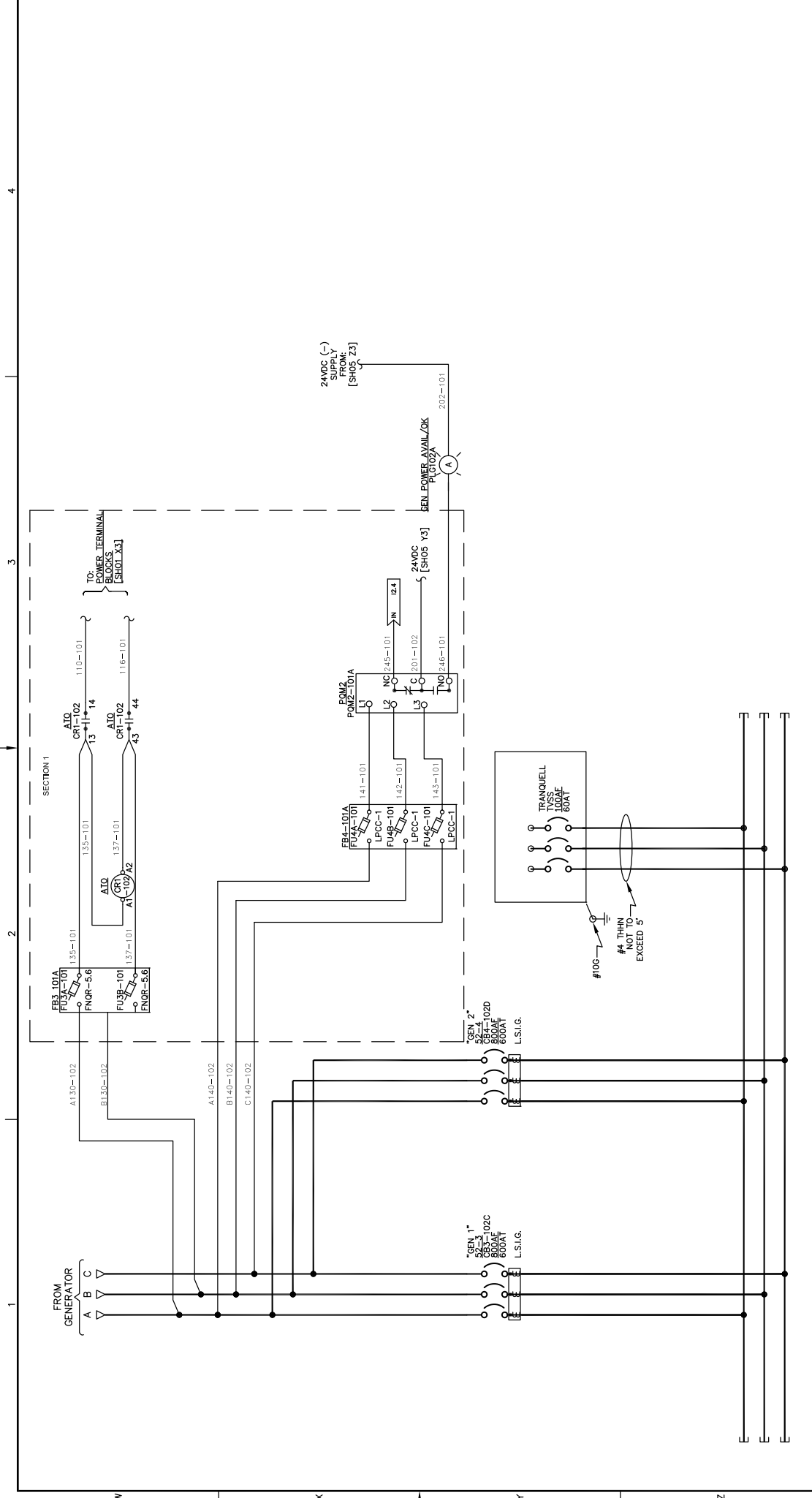
SCALE: N.T.S. SHEET -REF001 OF 16



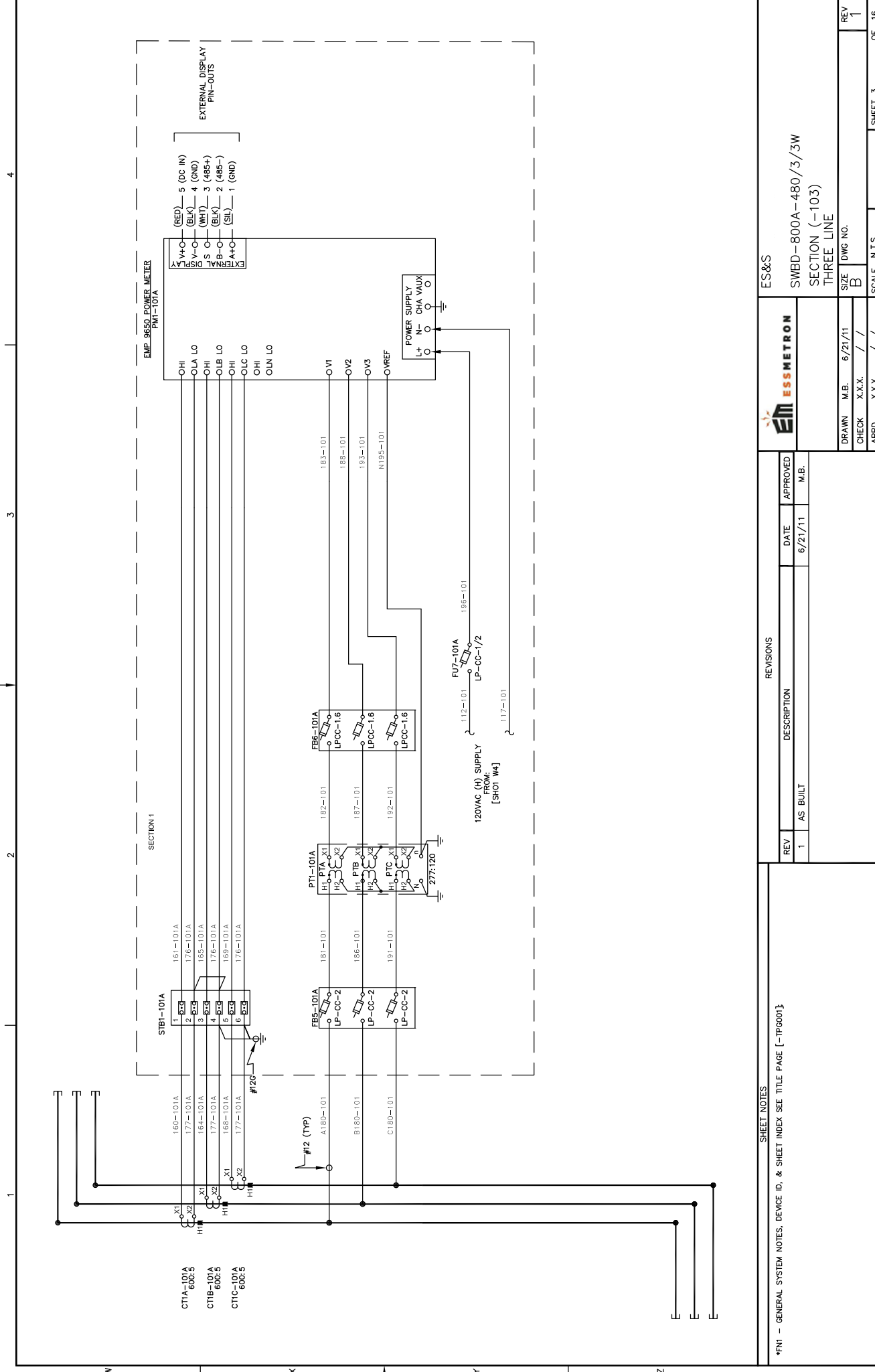
SHEET NOTES		REVISIONS		DATE		APPROVED	
REV	DESCRIPTION	DATE	APPROVED	DATE	APPROVED	DATE	APPROVED
1	AS BUILT	6/21/11	M.B.				

ES&S		SWBD-800A-480/3/3W	
SECTION (-101A)		THREE LINE	
DRAWN	M.B.	6/21/11	DWG NO.
CHECK	X.X.X.	/ /	B
APPD	X.X.X.	/ /	SCALE
	N.T.S.		SHEET 1
			OF 16



<b>ES&amp;S</b> <b>ESMETRON</b>		SWBD-800A-480/3/3W SECTION (-102) THREE LINE	
DRANN M.B. 6/21/11 CHECK X.X.X. / / APPD X.X.X. / /	SIZE DWG NO. B / /	SCALE N.T.S. / /	SHEET 2 OF 16
<b>REVISIONS</b>			
REV 1 AS BUILT	DESCRIPTION	DATE 6/21/11	APPROVED M.B.
*F01 - GENERAL SYSTEM NOTES, DEVICE ID, & SHEET INDEX SEE TITLE PAGE [-TP6001].			



1

2

3

4

W

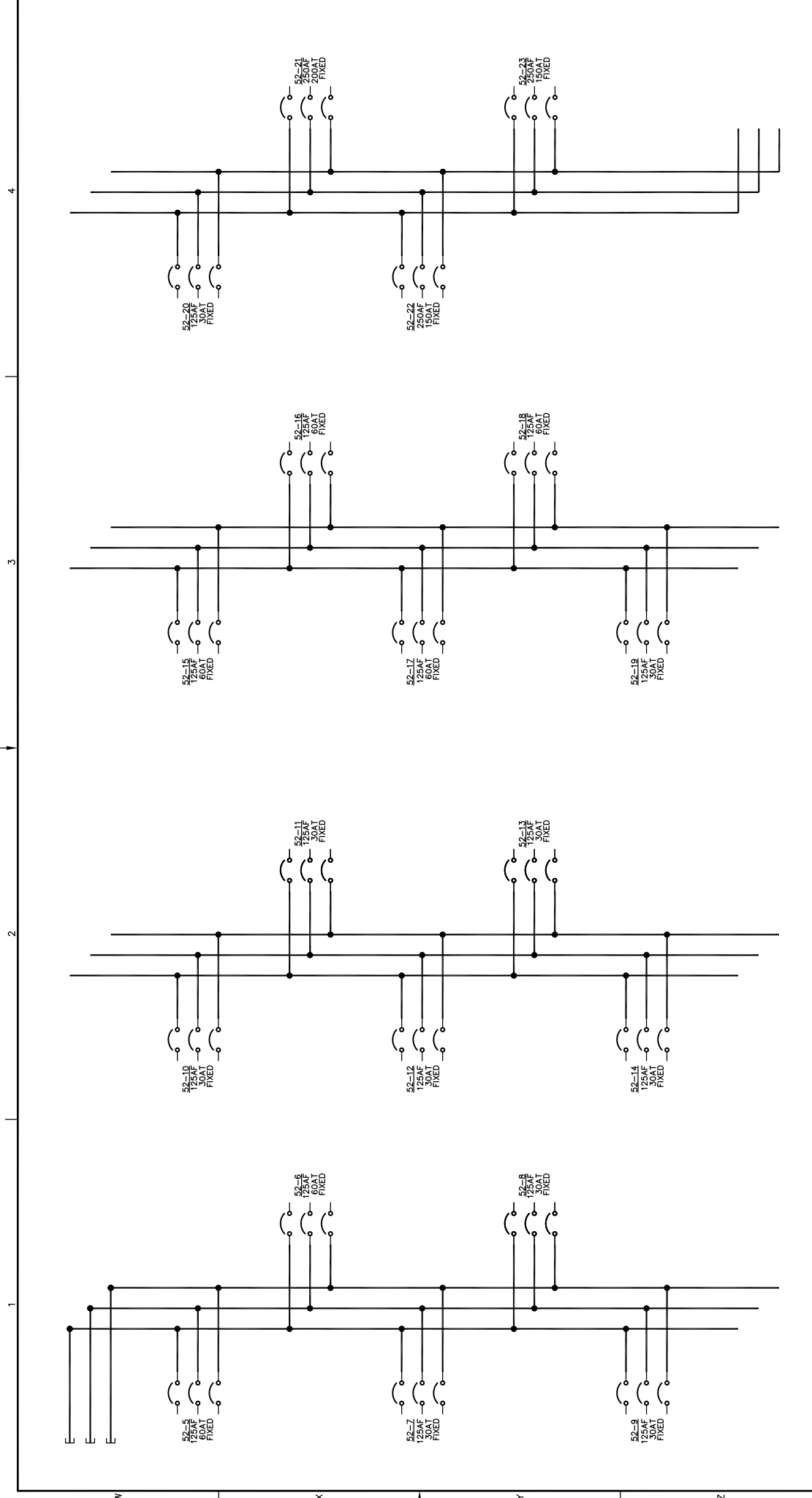
X

Y

Z

REV	DESCRIPTION	DATE	APPROVED
1	AS BUILT	6/21/11	M.B.

<p>REVISIONS</p>		<p>ES&amp;S</p>	
<p>SHEET NOTES</p>		<p>SWBD-800A-480/3/3W</p>	
<p>*FNI - GENERAL SYSTEM NOTES, DEVICE ID, &amp; SHEET INDEX SEE TITLE PAGE [-TP6001]</p>		<p>SECTION (-103)</p>	
<p>THREE LINE</p>		<p>SIZE DWG NO.</p>	
<p>DRAWN</p>	<p>M.B.</p>	<p>6/21/11</p>	<p>B</p>
<p>CHECK</p>	<p>X.X.X.</p>	<p>/</p>	<p>/</p>
<p>APPD</p>	<p>X.X.X.</p>	<p>/</p>	<p>/</p>
<p>SCALE</p>		<p>N.T.S.</p>	<p>SHEET 3 OF 16</p>



ES&S

**ESSMETRON**

SWBD-800A-480/3/3W

SECTION (-103) CB DISTRIBUTION

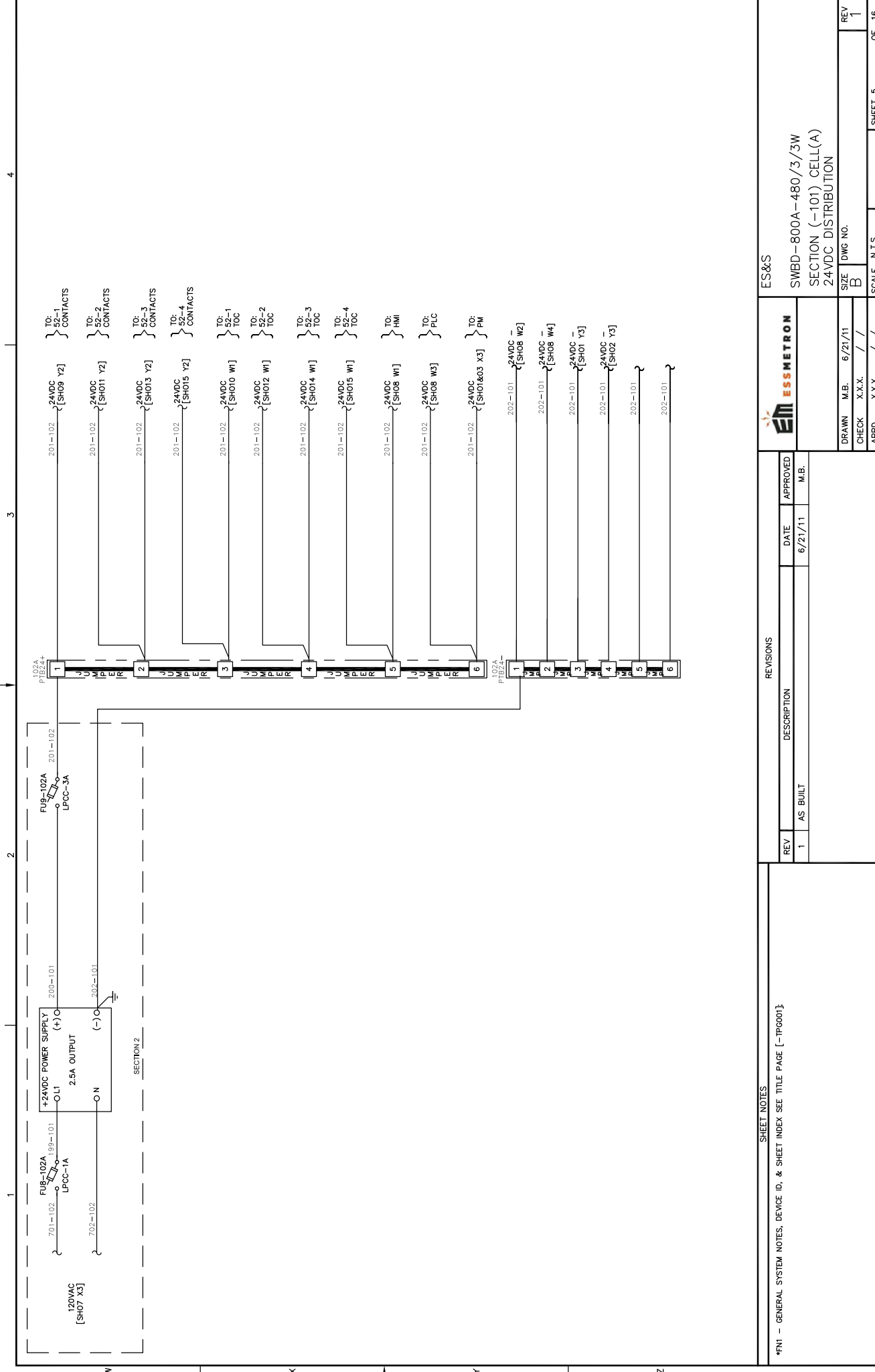
DRANN	M.B.	6/21/11	SIZE	DWG NO.	REV
CHECK	X.X.X.	/ /	B		1
APPD	X.X.X.	/ /	SCALE	N.T.S.	SHEET 4 OF 16

REVISIONS

REV	DESCRIPTION	DATE	APPROVED
1	AS BUILT	6/21/11	M.B.

SHEET NOTES

\*F01 - GENERAL SYSTEM NOTES, DEVICE ID, & SHEET INDEX SEE TITLE PAGE [-TP6001].



102A  
P102A  
P102A  
P102A

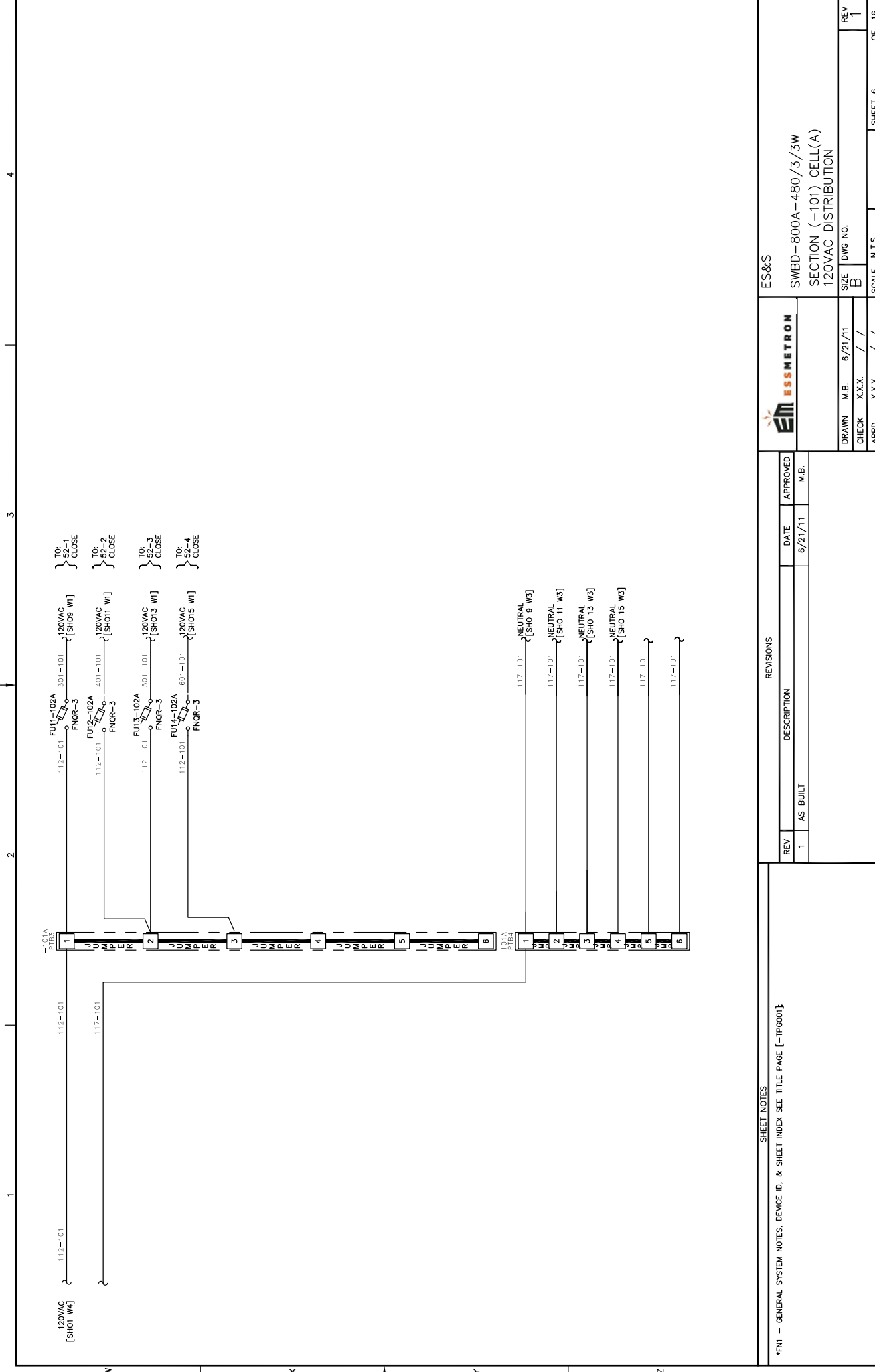
REV	DESCRIPTION	DATE	APPROVED
1	AS BUILT	6/21/11	M.B.

DRAWN	M.B.	6/21/11	REV	1
CHECK	X.X.X.	/ /	SIZE	DWG NO.
APPD	X.X.X.	/ /	SCALE	N.T.S.

REVISIONS

SHEET NOTES  
 \*FNI - GENERAL SYSTEM NOTES, DEVICE ID, & SHEET INDEX SEE TITLE PAGE [-TP6001].



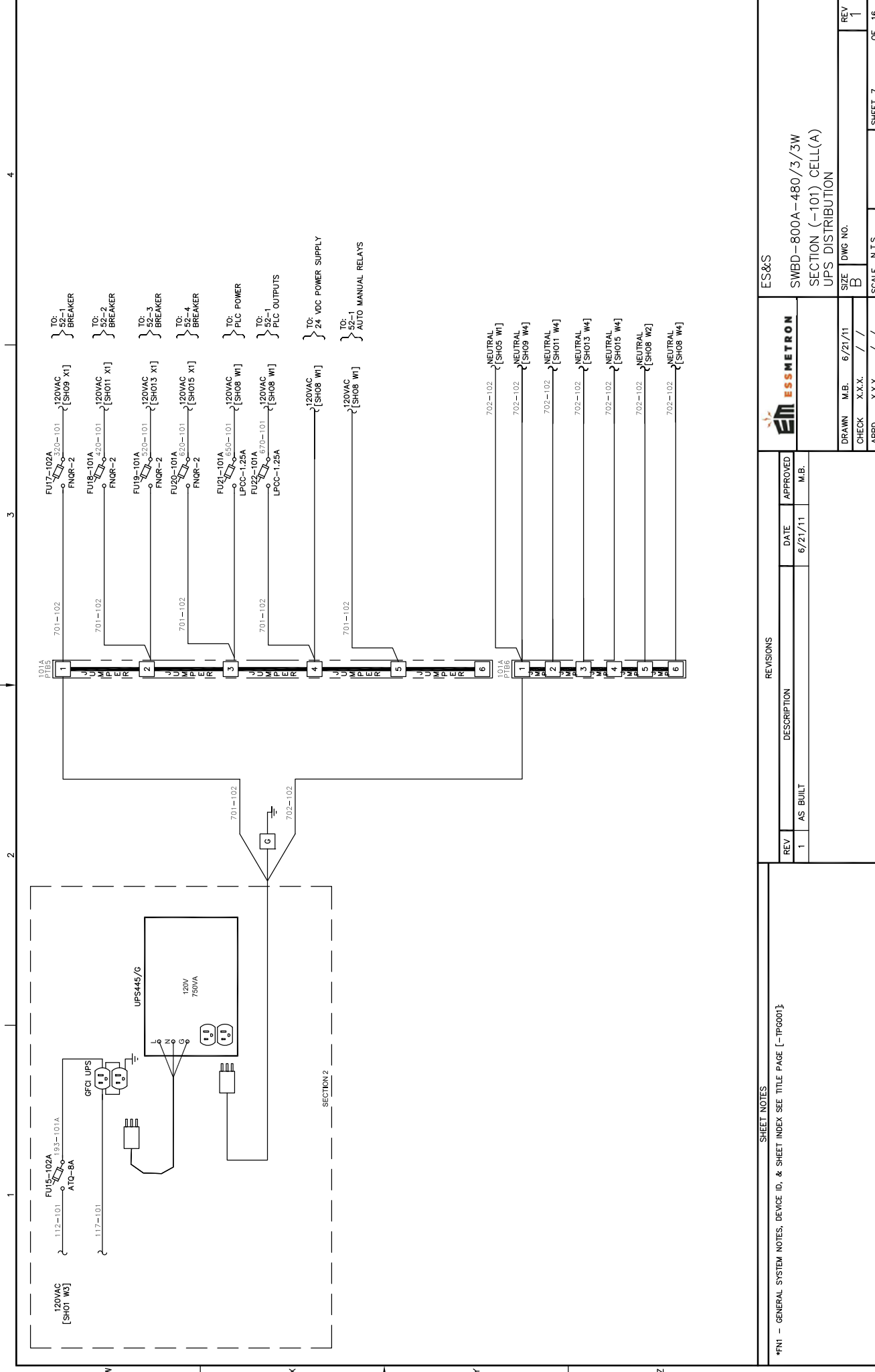
		ES&S SWBD-800A-480/3/3W SECTION (-101) CELL(A) 120VAC DISTRIBUTION
DRANN	M.B.	6/21/11
CHECK	X.X.X.	/ /
APPD	X.X.X.	/ /
SCALE	N.T.S.	
SIZE	DWG NO.	B
REV		1

REV	DESCRIPTION	DATE	APPROVED
1	AS BUILT	6/21/11	M.B.

SHEET NOTES

\*FNI - GENERAL SYSTEM NOTES, DEVICE ID, & SHEET INDEX SEE TITLE PAGE [-TP6001]

SHEET NOTES *FNI - GENERAL SYSTEM NOTES, DEVICE ID, & SHEET INDEX SEE TITLE PAGE [-TP6001]		REVISIONS <table border="1"> <thead> <tr> <th>REV</th> <th>DESCRIPTION</th> <th>DATE</th> <th>APPROVED</th> </tr> </thead> <tbody> <tr> <td>1</td> <td>AS BUILT</td> <td>6/21/11</td> <td>M.B.</td> </tr> </tbody> </table>	REV	DESCRIPTION	DATE	APPROVED	1	AS BUILT	6/21/11	M.B.
REV	DESCRIPTION	DATE	APPROVED							
1	AS BUILT	6/21/11	M.B.							



1

2

3

4

W

X

Y

Z

REV		DATE	APPROVED
1	AS BUILT	6/21/11	M.B.

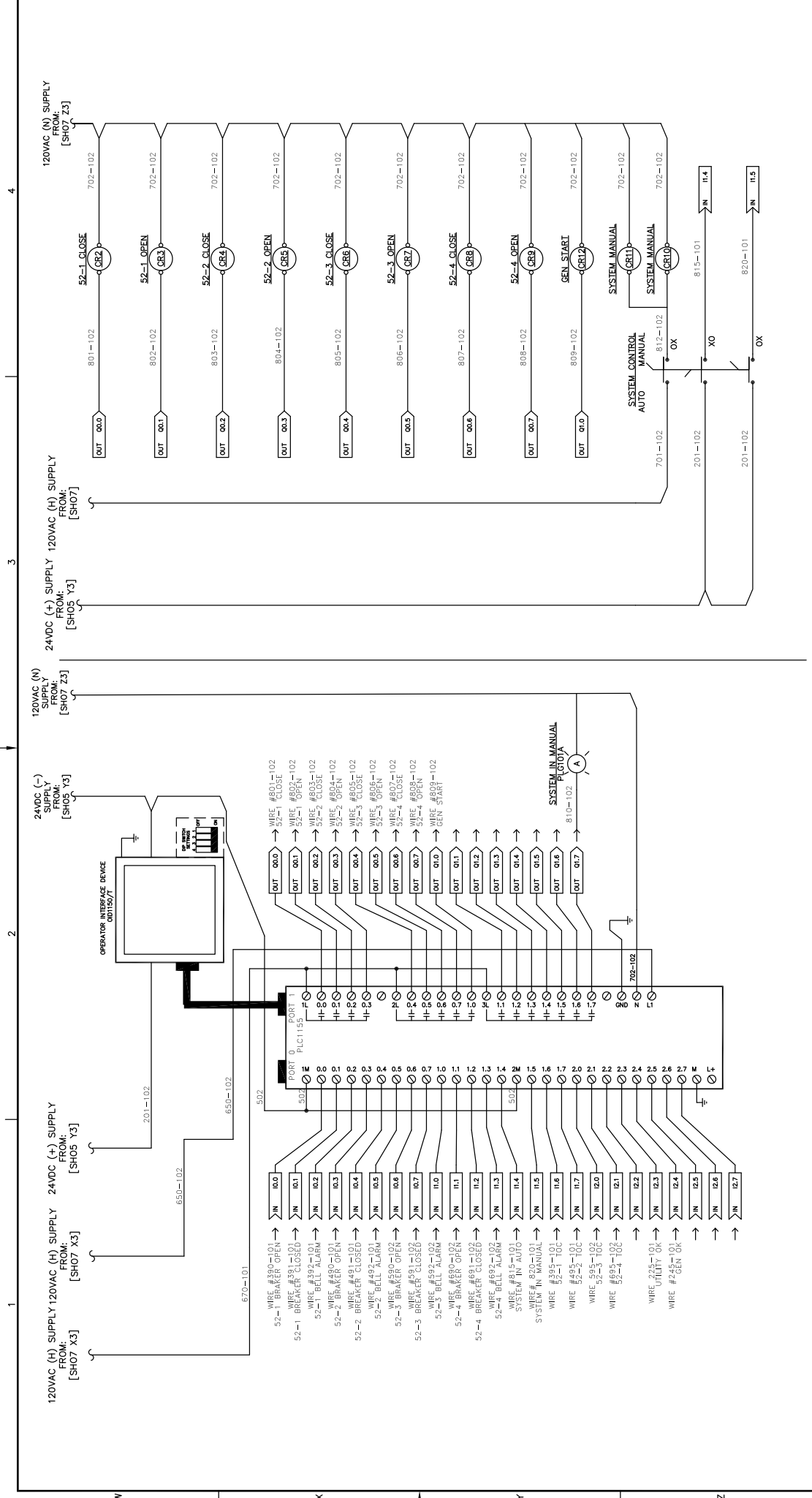
DRANN	M.B.	6/21/11
CHECK	X.X.X.	/ /
APPD	X.X.X.	/ /

ES&S  
**ESMETRON**  
 SWBD-800A-480/3/3W  
 SECTION (-101) CELL(A)  
 UPS DISTRIBUTION

SCALE	N.T.S.
SHEET	7 OF 16

SHEET NOTES  
 \*F01 - GENERAL SYSTEM NOTES, DEVICE ID, & SHEET INDEX SEE TITLE PAGE [-TP6001].





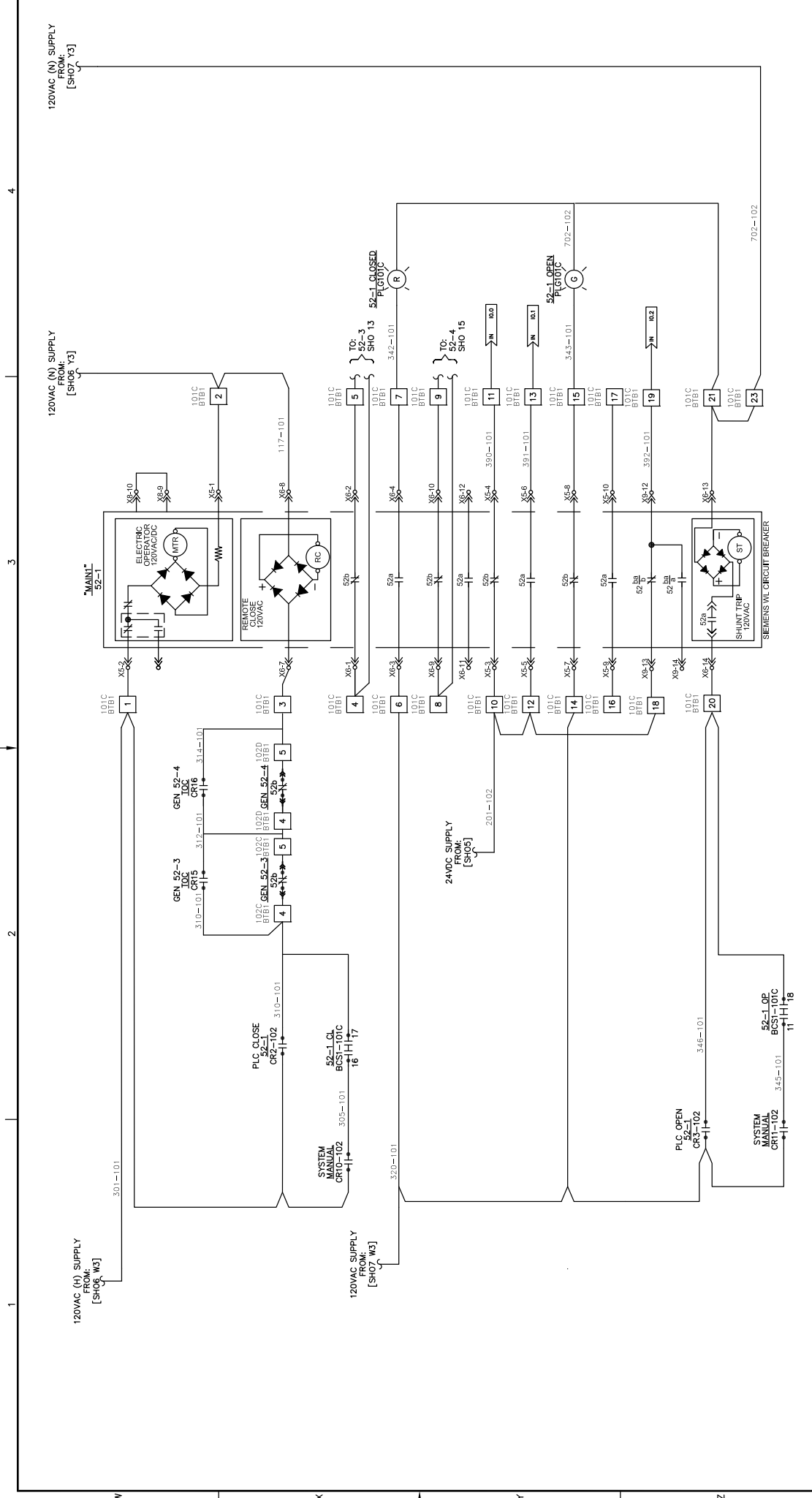
REVISIONS		DATE	APPROVED
REV	DESCRIPTION		M.B.
1	AS BUILT	6/21/11	M.B.

SHEET NOTES	
*FNI - GENERAL SYSTEM NOTES, DEVICE ID, & SHEET INDEX SEE TITLE PAGE [-TP6001]	

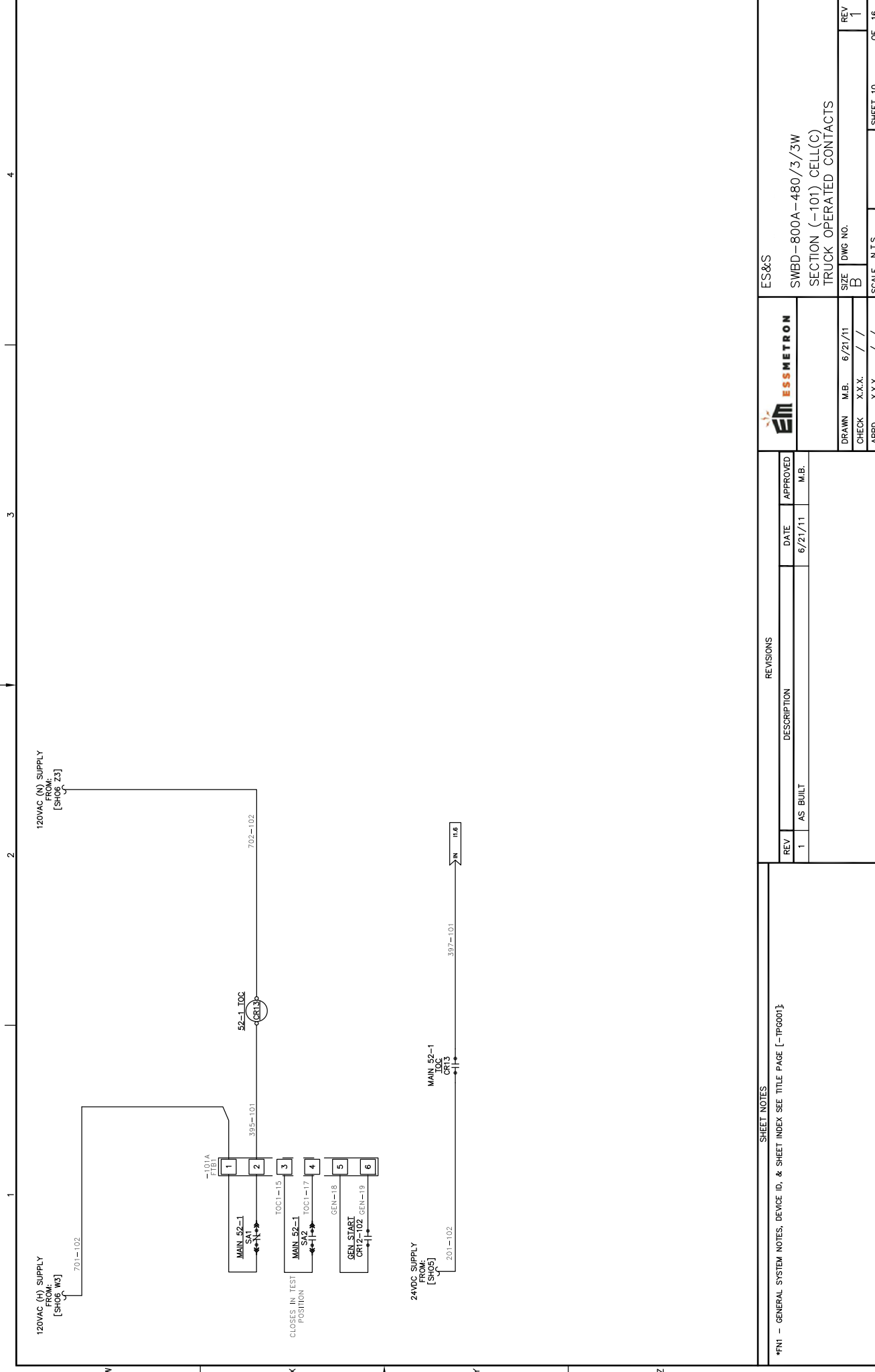
		<b>ES&amp;S</b> SWBD-800A-480/3/3W SECTION (-102) CELL(A) PROGRAMMABLE LOGIC CONTROLLER	
DRAWN	M.B.	6/21/11	SIZE D
CHECK	X.X.X.	/ /	DWG NO.
APPD	X.X.X.	/ /	SCALE N.T.S.
		SHEET 8 OF 16	



REVISIONS		DATE		APPROVED	
REV	DESCRIPTION				M.B.
1	AS BUILT	6/21/11			

SHEET NOTES		ES&S	
*F01 - GENERAL SYSTEM NOTES, DEVICE ID, & SHEET INDEX SEE TITLE PAGE [-IP6001]		SWBD-800A-480/3/3W	
		SECTION (-101) CELL(C)	
		C.B. CONTROLS	
DRANN	M.B.	6/21/11	SIZE DWG NO.
CHECK	X.X.X.	/ /	B
APPD	X.X.X.	/ /	SCALE N.T.S.
		SHEET 9 OF 16	



1

2

3

4

W

X

Y

Z

REV 1 AS BUILT DATE 6/21/11 APPROVED M.B.

REVISIONS

DESCRIPTION

DATE

APPROVED

M.B.

DRANN M.B. 6/21/11

CHECK X.X.X. / /

APPD X.X.X. / /

SIZE DWG NO.

B

SCALE N.T.S.

SHEET 10 OF 16

ES&S

SWBD-800A-480/3/3W

SECTION (-101) CELL(C)

TRUCK OPERATED CONTACTS

ESMETRON

REV 1

AS BUILT

DATE 6/21/11

APPROVED M.B.

DRANN M.B. 6/21/11

CHECK X.X.X. / /

APPD X.X.X. / /

SIZE DWG NO.

B

SCALE N.T.S.

SHEET 10 OF 16

ES&S

SWBD-800A-480/3/3W

SECTION (-101) CELL(C)

TRUCK OPERATED CONTACTS

ESMETRON

REV 1

AS BUILT

DATE 6/21/11

APPROVED M.B.

DRANN M.B. 6/21/11

CHECK X.X.X. / /

APPD X.X.X. / /

SIZE DWG NO.

B

SCALE N.T.S.

SHEET 10 OF 16

ES&S

SWBD-800A-480/3/3W

SECTION (-101) CELL(C)

TRUCK OPERATED CONTACTS

ESMETRON

REV 1

AS BUILT

DATE 6/21/11

APPROVED M.B.

DRANN M.B. 6/21/11

CHECK X.X.X. / /

APPD X.X.X. / /

SIZE DWG NO.

B

SCALE N.T.S.

SHEET 10 OF 16

ES&S

SWBD-800A-480/3/3W

SECTION (-101) CELL(C)

TRUCK OPERATED CONTACTS

ESMETRON

REV 1

AS BUILT

DATE 6/21/11

APPROVED M.B.

DRANN M.B. 6/21/11

CHECK X.X.X. / /

APPD X.X.X. / /

SIZE DWG NO.

B

SCALE N.T.S.

SHEET 10 OF 16

ES&S

SWBD-800A-480/3/3W

SECTION (-101) CELL(C)

TRUCK OPERATED CONTACTS

ESMETRON

REV 1

AS BUILT

DATE 6/21/11

APPROVED M.B.

DRANN M.B. 6/21/11

CHECK X.X.X. / /

APPD X.X.X. / /

SIZE DWG NO.

B

SCALE N.T.S.

SHEET 10 OF 16

ES&S

SWBD-800A-480/3/3W

SECTION (-101) CELL(C)

TRUCK OPERATED CONTACTS

ESMETRON

REV 1

AS BUILT

DATE 6/21/11

APPROVED M.B.

DRANN M.B. 6/21/11

CHECK X.X.X. / /

APPD X.X.X. / /

SIZE DWG NO.

B

SCALE N.T.S.

SHEET 10 OF 16

ES&S

SWBD-800A-480/3/3W

SECTION (-101) CELL(C)

TRUCK OPERATED CONTACTS

ESMETRON

REV 1

AS BUILT

DATE 6/21/11

APPROVED M.B.

DRANN M.B. 6/21/11

CHECK X.X.X. / /

APPD X.X.X. / /

SIZE DWG NO.

B

SCALE N.T.S.

SHEET 10 OF 16

ES&S

SWBD-800A-480/3/3W

SECTION (-101) CELL(C)

TRUCK OPERATED CONTACTS

ESMETRON

REV 1

AS BUILT

DATE 6/21/11

APPROVED M.B.

DRANN M.B. 6/21/11

CHECK X.X.X. / /

APPD X.X.X. / /

SIZE DWG NO.

B

SCALE N.T.S.

SHEET 10 OF 16

ES&S

SWBD-800A-480/3/3W

SECTION (-101) CELL(C)

TRUCK OPERATED CONTACTS

ESMETRON

REV 1

AS BUILT

DATE 6/21/11

APPROVED M.B.

DRANN M.B. 6/21/11

CHECK X.X.X. / /

APPD X.X.X. / /

SIZE DWG NO.

B

SCALE N.T.S.

SHEET 10 OF 16

ES&S

SWBD-800A-480/3/3W

SECTION (-101) CELL(C)

TRUCK OPERATED CONTACTS

ESMETRON

REV 1

AS BUILT

DATE 6/21/11

APPROVED M.B.

DRANN M.B. 6/21/11

CHECK X.X.X. / /

APPD X.X.X. / /

SIZE DWG NO.

B

SCALE N.T.S.

SHEET 10 OF 16

ES&S

SWBD-800A-480/3/3W

SECTION (-101) CELL(C)

TRUCK OPERATED CONTACTS

ESMETRON

REV 1

AS BUILT

DATE 6/21/11

APPROVED M.B.

DRANN M.B. 6/21/11

CHECK X.X.X. / /

APPD X.X.X. / /

SIZE DWG NO.

B

SCALE N.T.S.

SHEET 10 OF 16

ES&S

SWBD-800A-480/3/3W

SECTION (-101) CELL(C)

TRUCK OPERATED CONTACTS

ESMETRON

REV 1

AS BUILT

DATE 6/21/11

APPROVED M.B.

DRANN M.B. 6/21/11

CHECK X.X.X. / /

APPD X.X.X. / /

SIZE DWG NO.

B

SCALE N.T.S.

SHEET 10 OF 16

ES&S

SWBD-800A-480/3/3W

SECTION (-101) CELL(C)

TRUCK OPERATED CONTACTS

ESMETRON

REV 1

AS BUILT

DATE 6/21/11

APPROVED M.B.

DRANN M.B. 6/21/11

CHECK X.X.X. / /

APPD X.X.X. / /

SIZE DWG NO.

B

SCALE N.T.S.

SHEET 10 OF 16

ES&S

SWBD-800A-480/3/3W

SECTION (-101) CELL(C)

TRUCK OPERATED CONTACTS

ESMETRON

REV 1

AS BUILT

DATE 6/21/11

APPROVED M.B.

DRANN M.B. 6/21/11

CHECK X.X.X. / /

APPD X.X.X. / /

SIZE DWG NO.

B

SCALE N.T.S.

SHEET 10 OF 16

ES&S

SWBD-800A-480/3/3W

SECTION (-101) CELL(C)

TRUCK OPERATED CONTACTS

ESMETRON

REV 1

AS BUILT

DATE 6/21/11

APPROVED M.B.

DRANN M.B. 6/21/11

CHECK X.X.X. / /

APPD X.X.X. / /

SIZE DWG NO.

B

SCALE N.T.S.

SHEET 10 OF 16

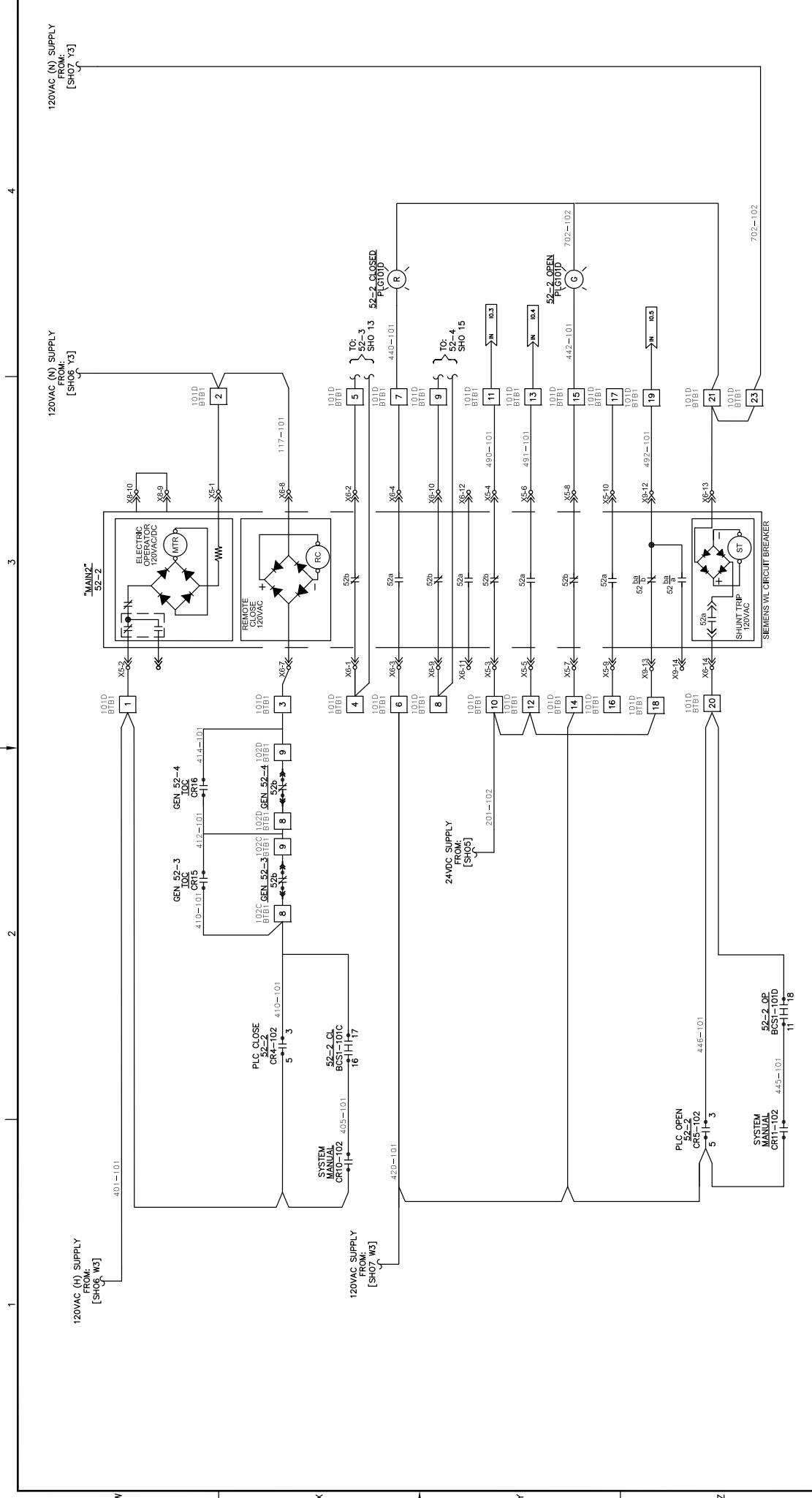
ES&S

SWBD-800A-480/3/3W

SECTION (-101) CELL(C)

TRUCK OPERATED CONTACTS

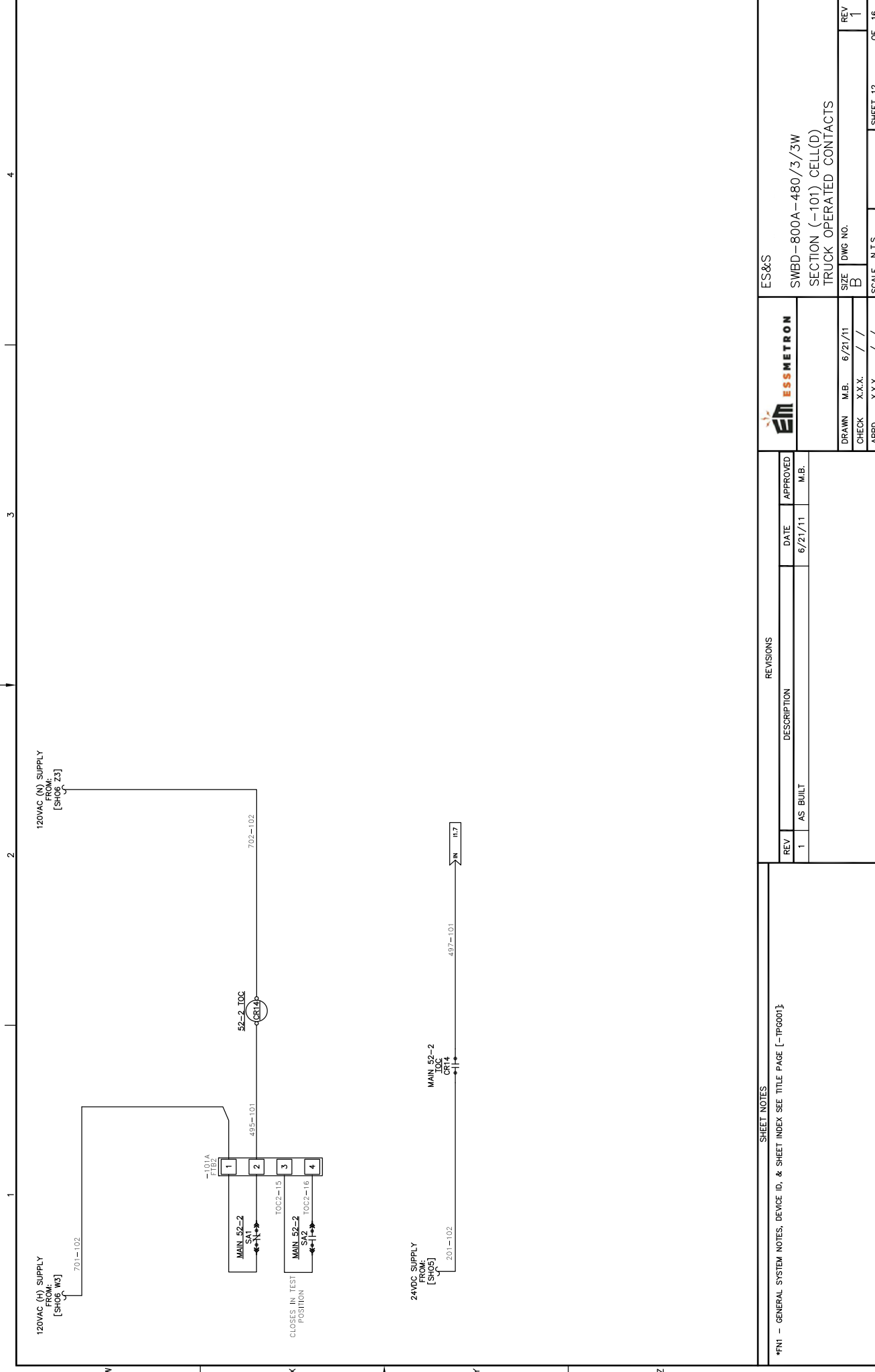
ESMETRON



REVISIONS		DATE		APPROVED	
REV	DESCRIPTION				M.B.
1	AS BUILT	6/21/11			

SHEET NOTES		ES&S	
*F01 - GENERAL SYSTEM NOTES, DEVICE ID, & SHEET INDEX SEE TITLE PAGE [-IP6001]		SWBD-800A-480/3/3W	
		SECTION (-101) CELL(D)	
		C.B. CONTROLS	
DRAWN	M.B.	6/21/11	SIZE DWG NO.
CHECK	X.X.X.	/ /	B
APPD	X.X.X.	/ /	SCALE N.T.S.
		SHEET 11	OF 16



W X Y Z

1 2 3 4

REVISIONS		DATE		APPROVED	
REV	DESCRIPTION	DATE	APPROVED	M.B.	
1	AS BUILT	6/21/11			

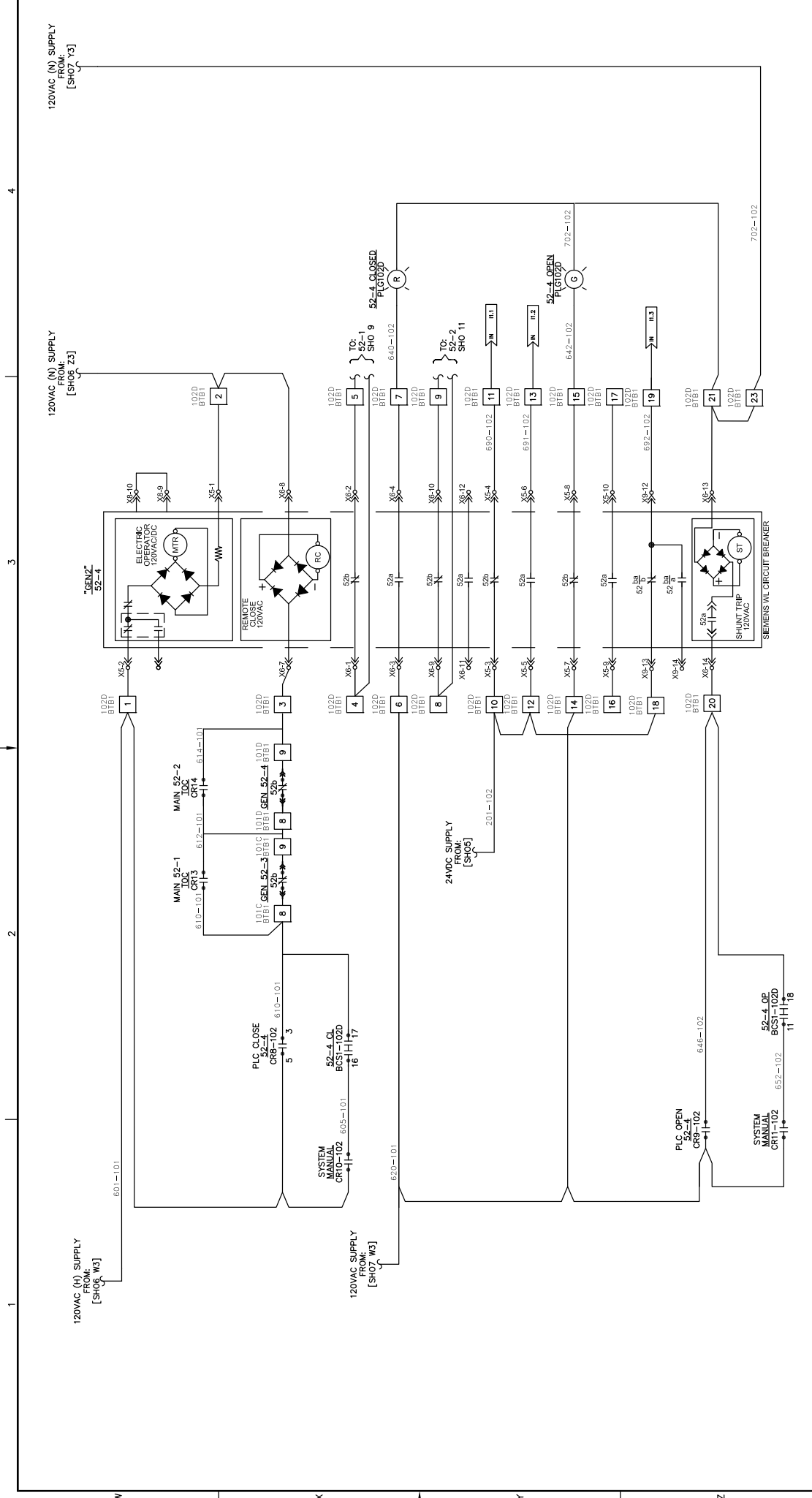
DRANN	M.B.	6/21/11	SIZE	DWG NO.
CHECK	X.X.X.	/ /	B	
APPD	X.X.X.	/ /	SCALE	N.T.S.

ES&S  
 SWBD-800A-480/3/3W  
 SECTION (-101) CELL(D)  
 TRUCK OPERATED CONTACTS

SHEET NOTES  
 \*FNI - GENERAL SYSTEM NOTES, DEVICE ID, & SHEET INDEX SEE TITLE PAGE [-TP6001]





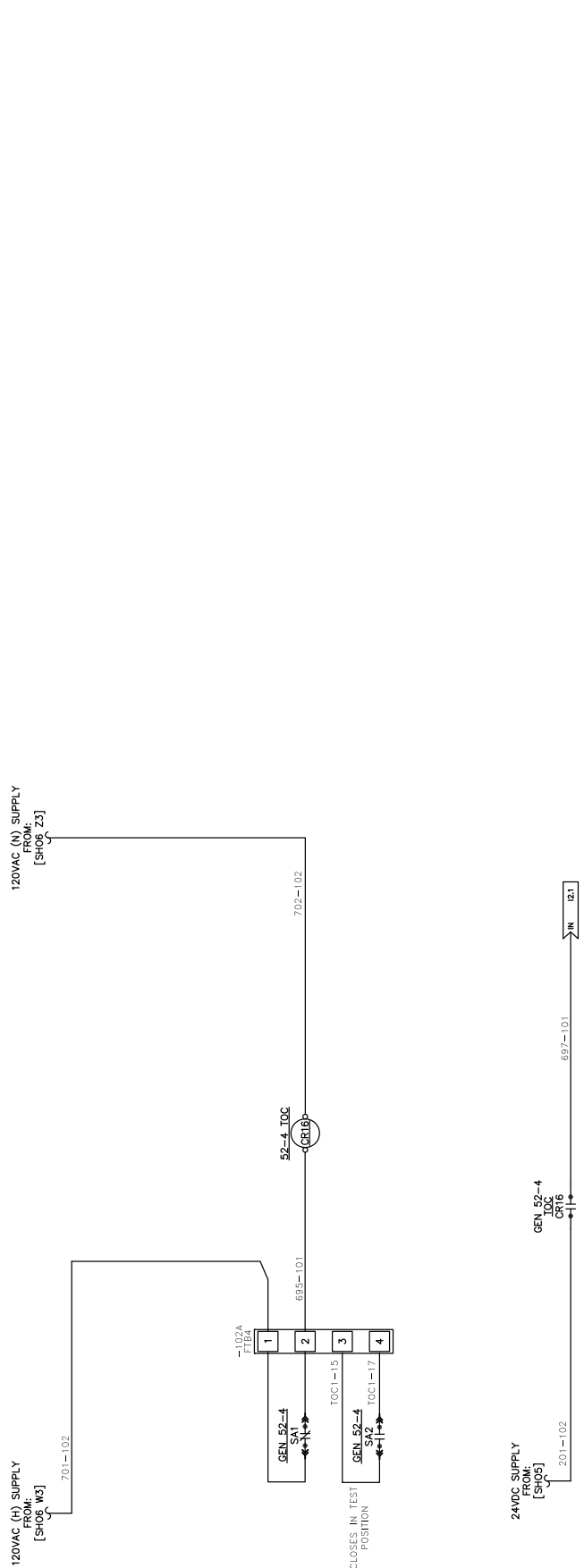


REVISIONS		DATE		APPROVED	
REV	DESCRIPTION				M.B.
1	AS BUILT		6/21/11		

<b>ES&amp;S</b> <b>ESSMETRON</b>		<b>ES&amp;S</b> SWBD-800A-480/3/3W SECTION (-102) CELL(D) C.B. CONTROLS	
DRAWN: M.B. CHECK: X.X.X. APPD: X.X.X.	6/21/11 / /	SIZE: DWG NO. B	SCALE: N.T.S.
*F01 - GENERAL SYSTEM NOTES, DEVICE ID, & SHEET INDEX SEE TITLE PAGE [-IP6001].		SHEET 15 OF 16	REV 1





**REVISIONS**

REV	DESCRIPTION	DATE	APPROVED
1	AS BUILT	6/21/11	M.B.

**SHEET NOTES**

\*FNI - GENERAL SYSTEM NOTES, DEVICE ID, & SHEET INDEX SEE TITLE PAGE [-TP6001]

**ES&S**

SWBD-800A-480/3/3W  
SECTION (-102) CELL(D)  
TRUCK OPERATED CONTACTS

DRANN	M.B.	6/21/11	SIZE	DWG NO.
CHECK	X.X.X.	/ /	B	
APPD	X.X.X.	/ /	SCALE	N.T.S.

REV	1	SHEET 16	OF 16
-----	---	----------	-------